



COMMON MODE CHOKE 共模電感

SQ SERIES (1212C/151C/1918C/2418C)

FEATURES 特征

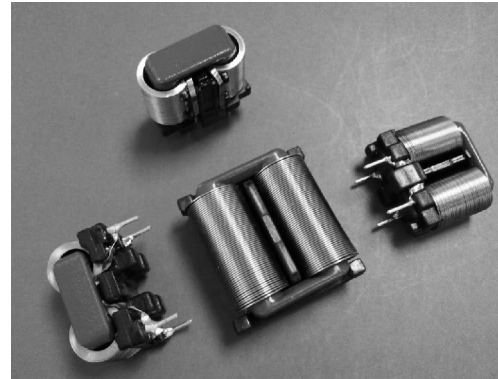
Rated voltage: 85 to 265 Vac, 50/60 Hz. 270 Vac. 50/60 Hz

Turns Ratio: $|N1:N2| = |1:1| \pm 2\%$

Winding with 0.13~0.20mm*1.0mm flat wire

Operating Temperature range: -40°C to +105°C

Storage Temperature range: -40°C to +105°C



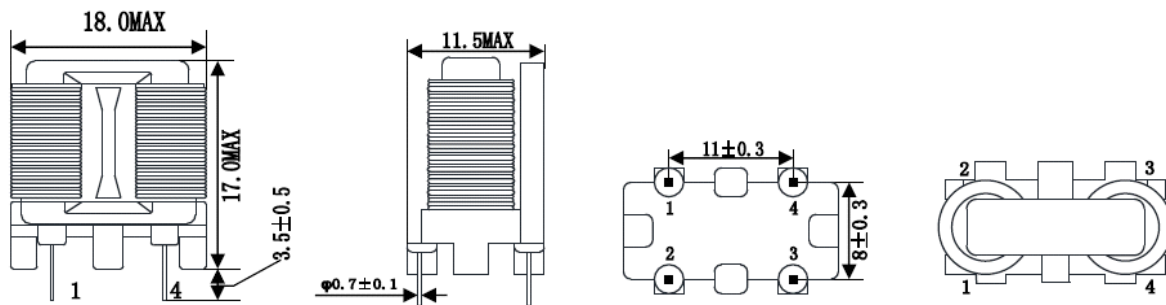
APPLICATIONS 用途/說明:

扁平線相對漆包圓線具有重量輕，在同等截面積下趨膚效應好效率高，可以承受較大的電流，產品能實現自動化生產，兩邊各壹層排滿，散熱性能好，線圈內外溫差較小，磁場效應好，高壓下噪聲小，寬頻效果好1M以上，EMI EMC效果好等優點。

主要用於TV電源，空調，音響設備，遊戲機，打印機，LED驅動電源，電源適配器。

SHAPES AND DIMENSIONS (Unit:mm)

SQ1212C 立式



PRODUCT SPECIFICATIONS

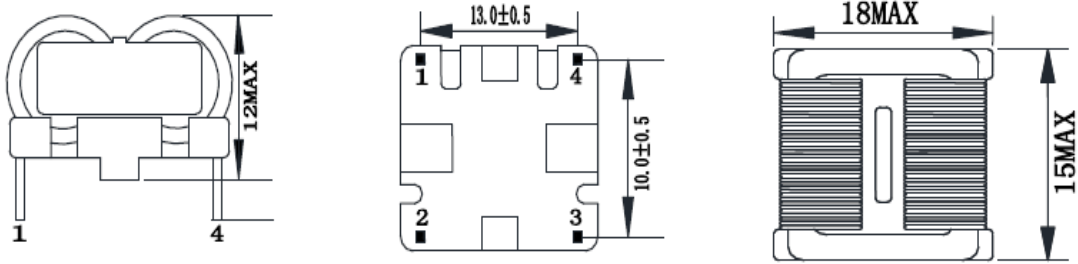
Part number	Inductance	DCR	Rated Current	Peak Current	length	width	height
	(mH) min	(mΩ) max	(A)	(A)	(mm) max	(mm) max	(mm) max
SQ1212-001	17.0	250	0.80	1.12	18	11.5	17
SQ1212-002	10.0	150	1.00	1.40	18	11.5	17
SQ1212-003	5.0	140	1.20	1.68	18	11.5	17
SQ1212-004	7.0	140	1.20	1.68	18	11.5	17
SQ1212-005	5.0	100	1.60	2.24	18	11.5	17

※Design as Customer's Requested Specifications. (可按顧客的特殊需求設計)



■ SHAPES AND DIMENSIONS (Unit:mm)

SQ1212C 卧式

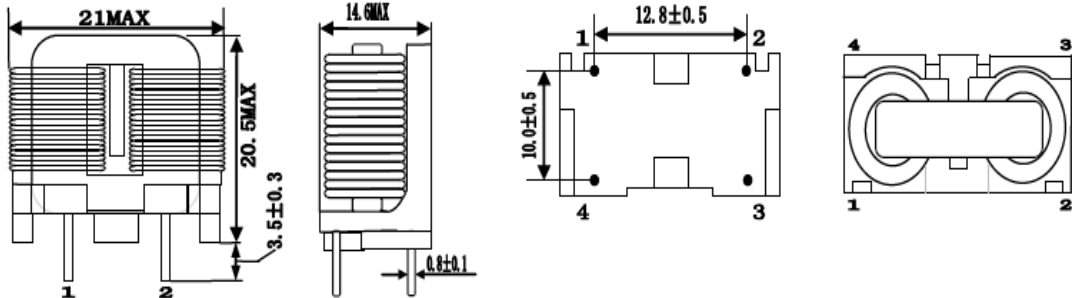


■ PRODUCT SPECIFICATIONS

Part number	Inductance	DCR	Rated Current	Peak Current	length	width	height
	(mH) min	(mΩ) max	(A)	(A)	(mm) max	(mm) max	(mm) max
SQ1212-001	17.0	250	0.80	1.12	18	11.5	17
SQ1212-002	10.0	150	1.00	1.40	18	11.5	17
SQ1212-003	5.0	140	1.20	1.68	18	11.5	17
SQ1212-004	7.0	140	1.20	1.68	18	11.5	17
SQ1212-005	5.0	100	1.60	2.24	18	11.5	17

■ SHAPES AND DIMENSIONS (Unit:mm)

SQ1515C 立式



■ PRODUCT SPECIFICATIONS

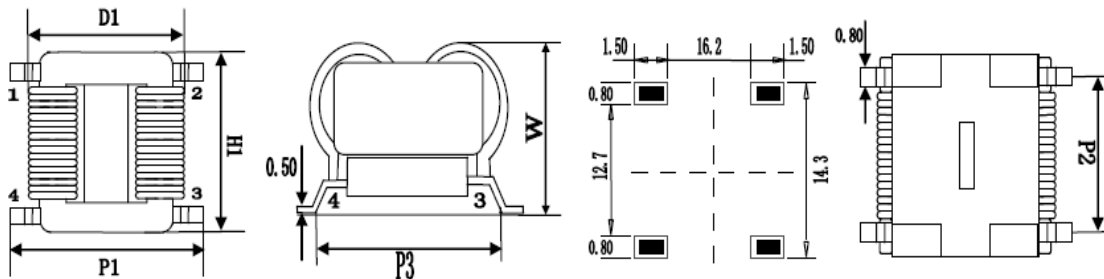
Part number	Inductance	DCR	Rated Current	Peak Current	length	width	height
	(mH) min	(mΩ) max	(A)	(A)	(mm) max	(mm) max	(mm) max
SQ1515-001	7.0	180	1.00	1.40	21	17	13.5
SQ1515-002	15.0	250	1.00	1.40	21	17	13.5
SQ1515-003	8.0	180	1.20	1.70	21	17	13.5
SQ1515-004	10.0	200	1.20	1.70	21	17	13.5
SQ1515-005	7.5	130	1.60	2.25	21	17	13.5
SQ1515-006	8.0	150	1.60	2.25	21	17	13.5
SQ1515-007	25.0	250	1.00	1.40	21	17	13.5

※Design as Customer's Requested Specifications. (可按顧客的特殊需求設計)



■ SHAPES AND DIMENSIONS (Unit:mm)

SQ1515C 貼片式

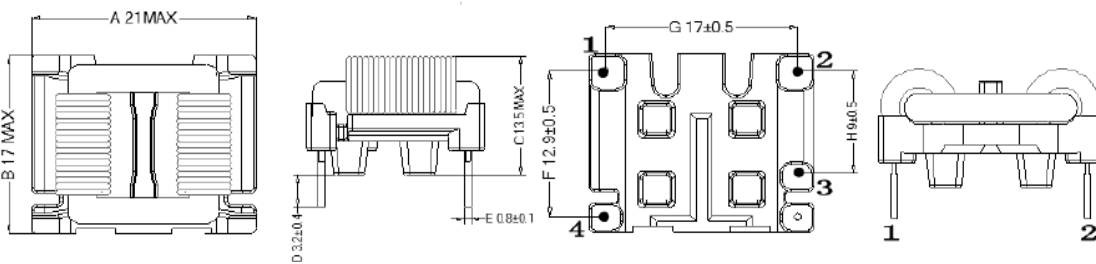


■ PRODUCT SPECIFICATIONS

Part number	Inductance	DCR	Rated Current	Peak Current	length	width	height
	(mH) min	(mΩ) max	(A)	(A)	(mm) max	(mm) max	(mm) max
SQ1515-001	7.0	180	1.00	1.40	20	17	12.5
SQ1515-002	15.0	250	1.00	1.40	20	17	12.5
SQ1515-003	8.0	180	1.20	1.70	20	17	12.5
SQ1515-004	10.0	200	1.20	1.70	20	17	12.5
SQ1515-005	7.5	130	1.60	2.25	20	17	12.5
SQ1515-006	8.0	150	1.60	2.25	20	17	12.5
SQ1515-007	25.0	250	1.00	1.40	20	17	12.5

■ SHAPES AND DIMENSIONS (Unit:mm)

SQ1515C 臥式



■ PRODUCT SPECIFICATIONS

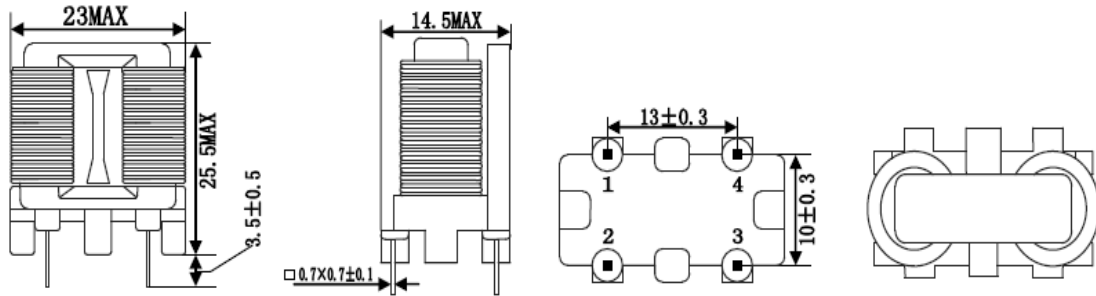
Part number	Inductance	DCR	Rated Current	Peak Current	length	width	height
	(mH) min	(mΩ) max	(A)	(A)	(mm) max	(mm) max	(mm) max
SQ1515-001	7.0	180	1.00	1.40	21	17	13.5
SQ1515-002	15.0	250	1.00	1.40	21	17	13.5
SQ1515-003	8.0	180	1.20	1.70	21	17	13.5
SQ1515-004	10.0	200	1.20	1.70	21	17	13.5
SQ1515-005	7.5	130	1.60	2.25	21	17	13.5
SQ1515-006	8.0	150	1.60	2.25	21	17	13.5
SQ1515-007	25.0	250	1.00	1.40	21	17	13.5

※Design as Customer's Requested Specifications.(可按顧客的特殊需求設計)



■ SHAPES AND DIMENSIONS (Unit:mm)

SQ1918C 立式

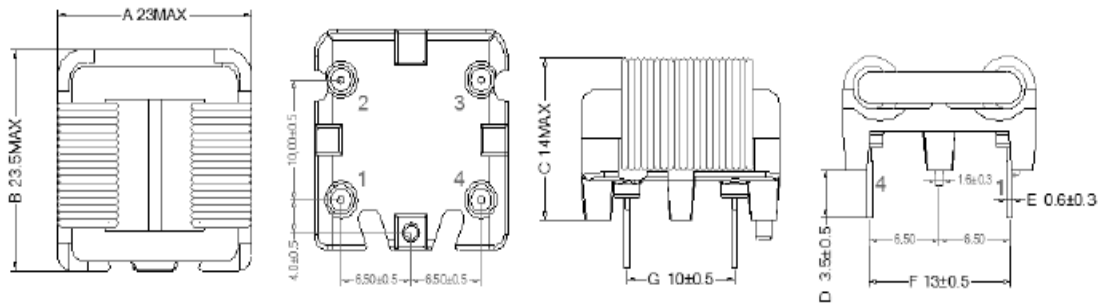


■ PRODUCT SPECIFICATIONS

Part number	Inductance	DCR	Rated Current	Peak Current	length	width	height
	(mH) min	(mΩ) max	(A)	(A)	(mm) max	(mm) max	(mm) max
SQ1918-001	12.0	220	1.20	1.70	24	23	13.5
SQ1918-002	14.0	210	1.20	1.70	24	23	13.5
SQ1918-003	10.0	220	1.60	2.25	24	23	13.5
SQ1918-004	12.0	250	1.60	2.25	24	23	13.5
SQ1918-005	8.0	110	2.00	2.80	24	23	13.5
SQ1918-006	4.5	70	2.80	3.90	24	23	13.5

■ SHAPES AND DIMENSIONS (Unit:mm)

SQ1918C 卧式



■ PRODUCT SPECIFICATIONS

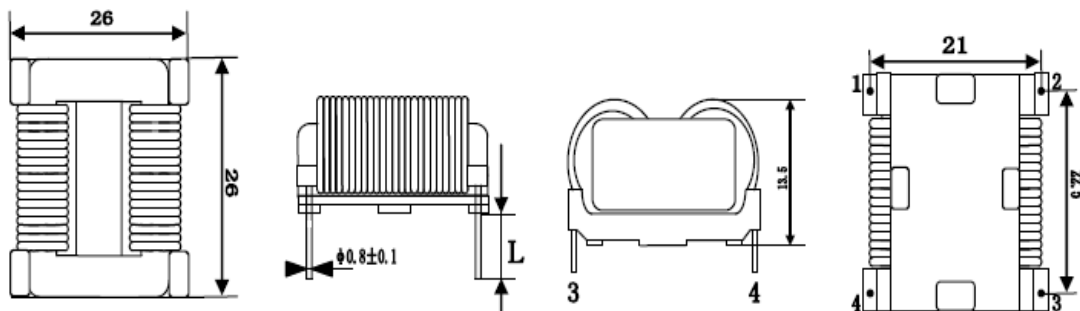
Part number	Inductance	DCR	Rated Current	Peak Current	length	width	height
	(mH) min	(mΩ) max	(A)	(A)	(mm) max	(mm) max	(mm) max
SQ1918-001	12.0	220	1.20	1.70	24	23	13.5
SQ1918-002	14.0	210	1.20	1.70	24	23	13.5
SQ1918-003	10.0	220	1.60	2.25	24	23	13.5
SQ1918-004	12.0	250	1.60	2.25	24	23	13.5
SQ1918-005	8.0	110	2.00	2.80	24	23	13.5
SQ1918-006	4.5	70	2.80	3.90	24	23	13.5

※Design as Customer's Requested Specifications.(可按顧客的特殊需求設計)



■ SHAPES AND DIMENSIONS (Unit:mm)

SQ2418C 卧式



■ PRODUCT SPECIFICATIONS

Part number	Inductance	DCR	Rated Current	Peak Current	length	width	height
	(mH) min	(mΩ) max	(A)	(A)	(mm) max	(mm) max	(mm) max
SQ2418-001	6.0	120	3.00	4.20	26	26	13.5
SQ2418-002	8.0	150	3.00	4.20	26	26	13.5
SQ2418-003	8.0	100	3.60	5.00	26	26	13.5
SQ2418-004	10.0	120	3.60	5.00	26	26	13.5
SQ2418-005	3.5	60	4.80	6.70	26	26	13.5
SQ2418-006	5.0	70	4.80	6.70	26	26	13.5

※Design as Customer's Requested Specifications.(可按顧客的特殊需求設計)